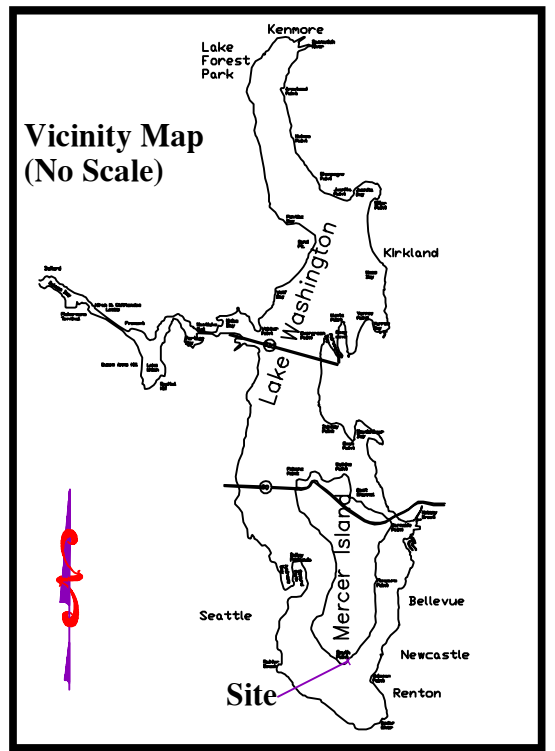
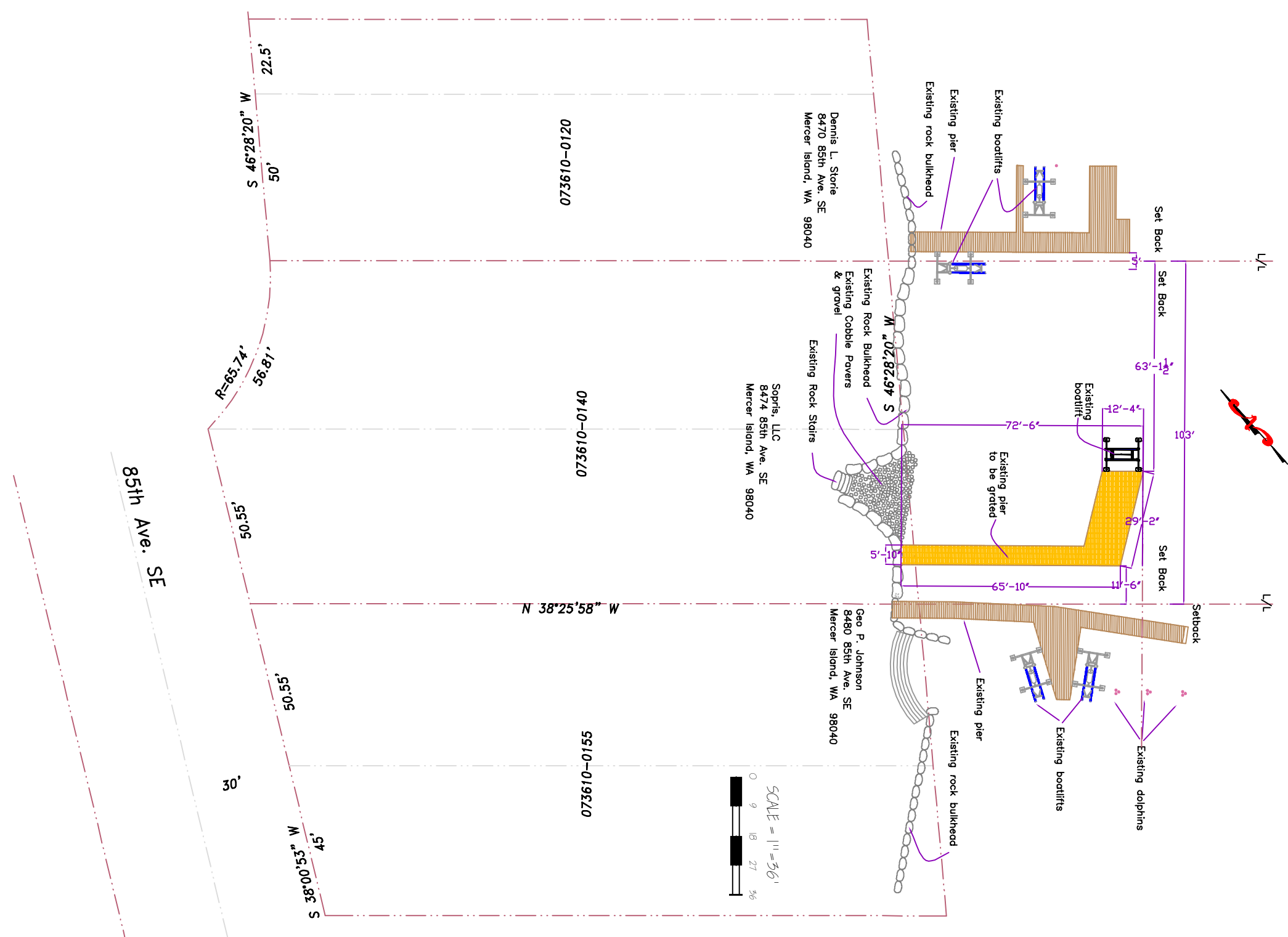


Ashley Shoreline Design & Permitting

16412 NE 10th Place
 Bellevue, Washington 98008-3707
 Phone: (425) 591-3994
 greg@shoreline-permitting.com

DRAWING BY: Gregory W. Ashley
 Proprietary Information. This drawing contains confidential and / or privileged information which is intended for use by specific licensed individuals only. Any copying, disclosure, or dissemination of this communication is prohibited. All Designs Copyright 2026
 Ashley Shoreline Design & Permitting *****www.shoreline-permitting.com



SHORELINE PROJECT FOR : Sopris, LLC
 8474 84th Ave. SE
 Mercer Island, WA 98040-5606

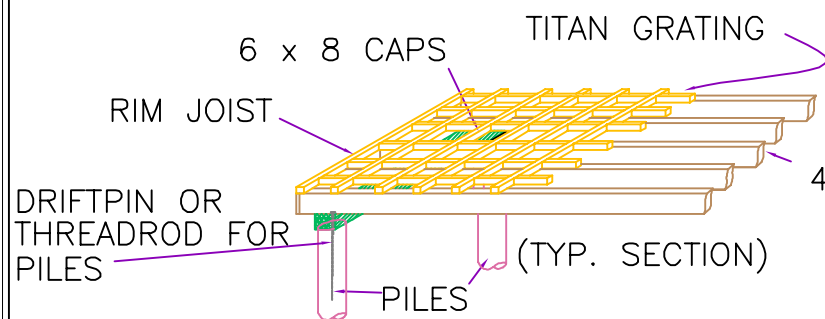
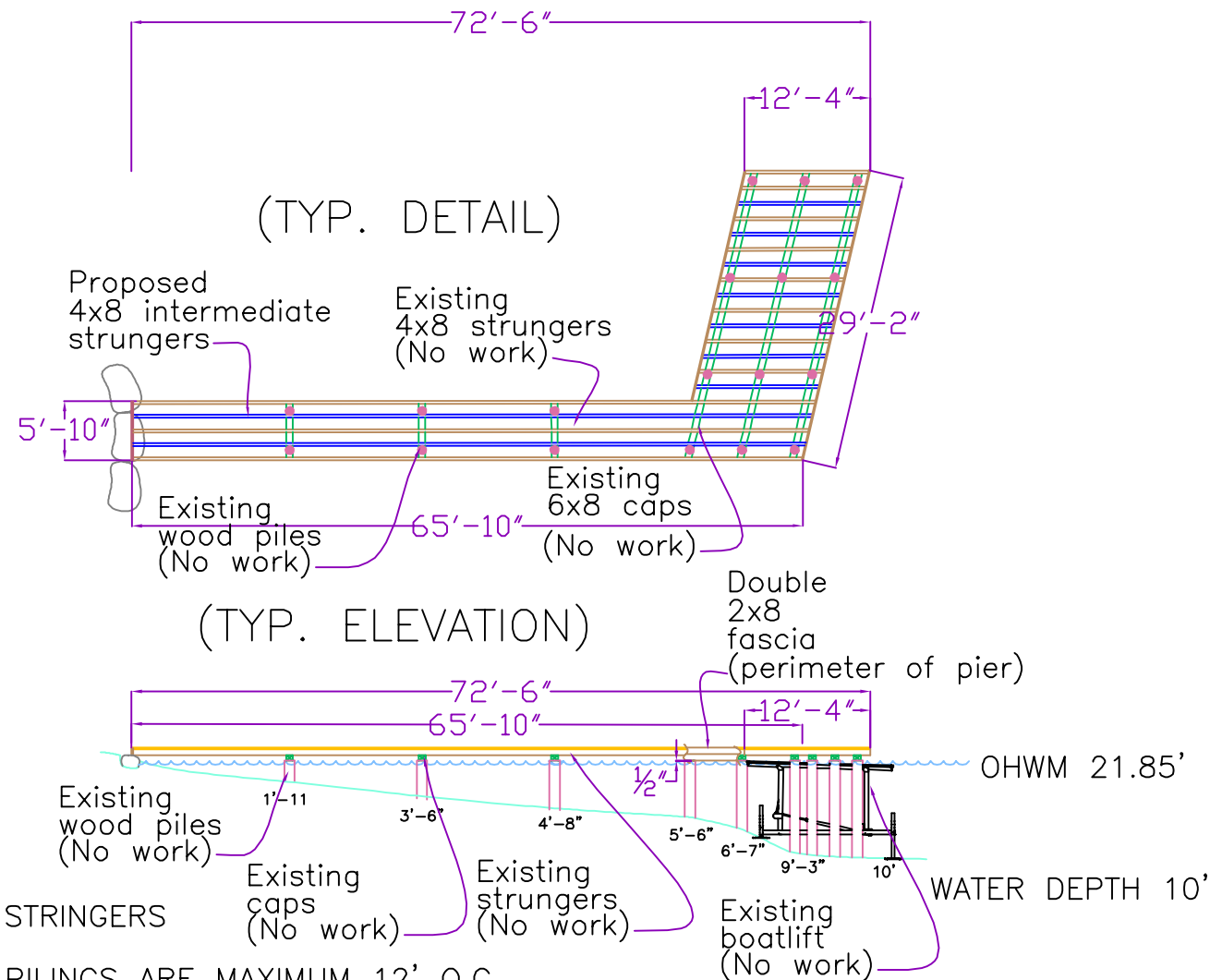
PAGE: 1 of 2

LOCATION: Lake Washington
 LAT: 47° 31' 30" North
 LONG: -122° 13' 30" West
 LENGTH FROM OHWM: 72'-6" **SQ. FT. :** 665

DATUM: COE 1919

PROJECT DESCRIPTION: Add intermediate stringers to support Titan grated decking (47% open space). Replace solid wood-plank decking with Titan grated decking. No work to existing piles, caps and stringers. No work to existing freestanding boatlift.

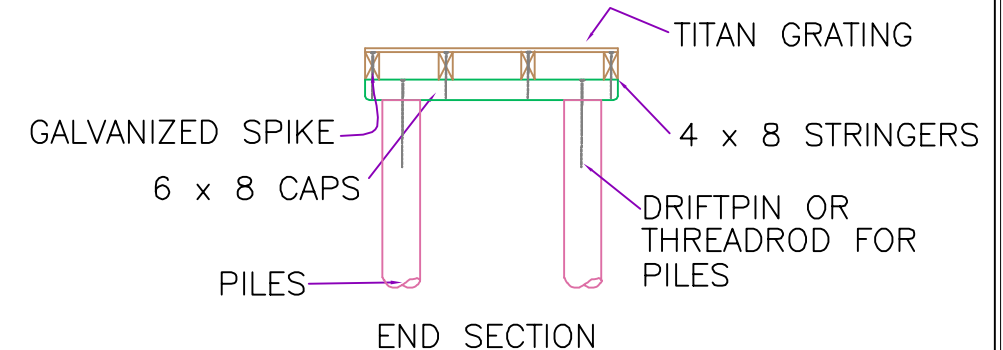
DATE: 1/1/2026 **No change in footprint.**



1. PILINGS ARE MAXIMUM 12' O.C.
2. EXISTING PILINGS ARE 12" DIA. TYPICAL
3. CAPS ARE ATTACHED TO PILING WITH 1/2" GALV. DRIFT PINS
4. STRINGERS TO BE MAXIMUM 2' O.C.
5. STRINGERS ARE ATTACHED TO CAPS WITH 12" X 1/2" GALV. SPIKES
6. DECKING ATTACHED TO STRINGERS WITH S.S. SCREWS

NOTES:

NO WORK TO EXISTING PILES, CAPS AND STRINGERS
 ALL HARDWARE TO BE HOT DIPPED GALVANIZED
 CAP MATERIAL IS DOUGLAS FIR #2 OR BETTER -- ACZA TREATED TO .60 OR REFUSAL
 ADD INTERMEDIATE STRINGERS TO SUPORT TITAN GRATED DECKING
 STRINGER MATERIAL IS DOUGLAS FIR #2 -- ACZA TREATED TO .40 OR REFUSAL
 ALL CUT AND EXPOSED EDGES OF TREATED MEMBERS TO BE HAND TREATED WITH WOOD PRESERVATIVE
 LATERAL SUPPORT (FULL DEPTH BLOCKING) AT ALL STRINGER SUPPORT LOCATIONS
 DECKING TO BE TITAN GRATING



DECKING PRODUCTS

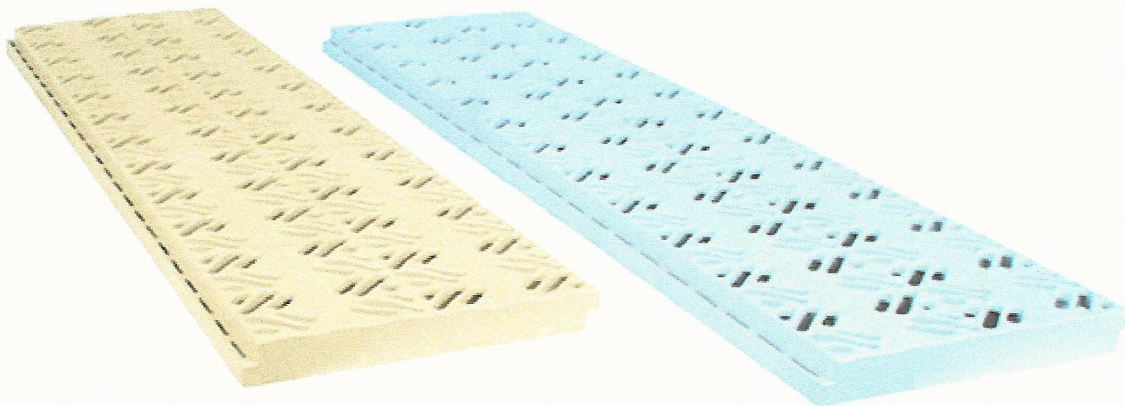
[Installation Guide \(/decking-products/installation-guide/\)](/decking-products/installation-guide/)

[Specs and Features \(/decking-products/specs-and-features/\)](/decking-products/specs-and-features/)

[Warranty \(/decking-products/warranty/\)](/decking-products/warranty/)

CLASSIC

X-SERIES



The X-Series is for the boater who prefers a more modern design. With its X shape built into the boards this design is quickly gaining popularity. Offering the same features as our Classic boards, the X-Series design is for the consumer that wants your neighbors to take notice.

Titan X-Series

Non-Reinforced

Reinforced

Panel Size	Span	Deflection*	Weight
48"	16"	0.171"	
36"	18"	0.067"	
48"	16"	0.078	
48"	24"	0.089"	
60"	20"	0.096"	

Available in 2-ft, 3-ft, 4-ft & 5-ft lengths

Depth 1.5

SERIES PHOTO GALLERY

OPEN X-SERIES

WOOD-GRAIN

TITAN QUALITY

Titan Deck was engineered so your decking will be the last thing on your mind. We know you would rather be bonding with your children, reeling in a lunker, carving a turn in your water skis, or stargazing with a loved one, than working on your dock.

Titan Deck is made out of 100% polypropylene, which is a sturdy plastic that will take everything you and Mother Nature can throw at it. Available in four styles: Classic, X-Series, Open X-Series, and Wood-Grain.

All Titan Deck products come with UV protection which will prevent significant fading. Titan Deck will also handle any wild weather changes. All Titan Deck materials have been tested in temperatures ranging from -25°F to 120°F.

Titan Deck products are covered by a 12 year limited warranty.

FIND A DEALER (/FIND-DEALER/)

[Decking Products \(/decking-products/\)](/decking-products/)

[Decking Uses \(/decking-uses/\)](/decking-uses/)

[About Us \(/about-us/\)](/about-us/)

[FAQ \(/faq/\)](/faq/)

[Contact Us \(/contact-us/\)](/contact-us/)

[Find a Dealer \(/find-dealer/\)](/find-dealer/)

[Photo Gallery \(/photo-gallery/\)](/photo-gallery/)

[Installation Guide \(/decking-products/installation-guide/\)](/decking-products/installation-guide/)

(877) 207-4136

info@titandeck.net

803 Central Avenue North, Brandon MN 56315

Copyright ©2016 Titan Deck. All Rights Reserved. [Dealer Login \(/dealers/\)](/dealers/)